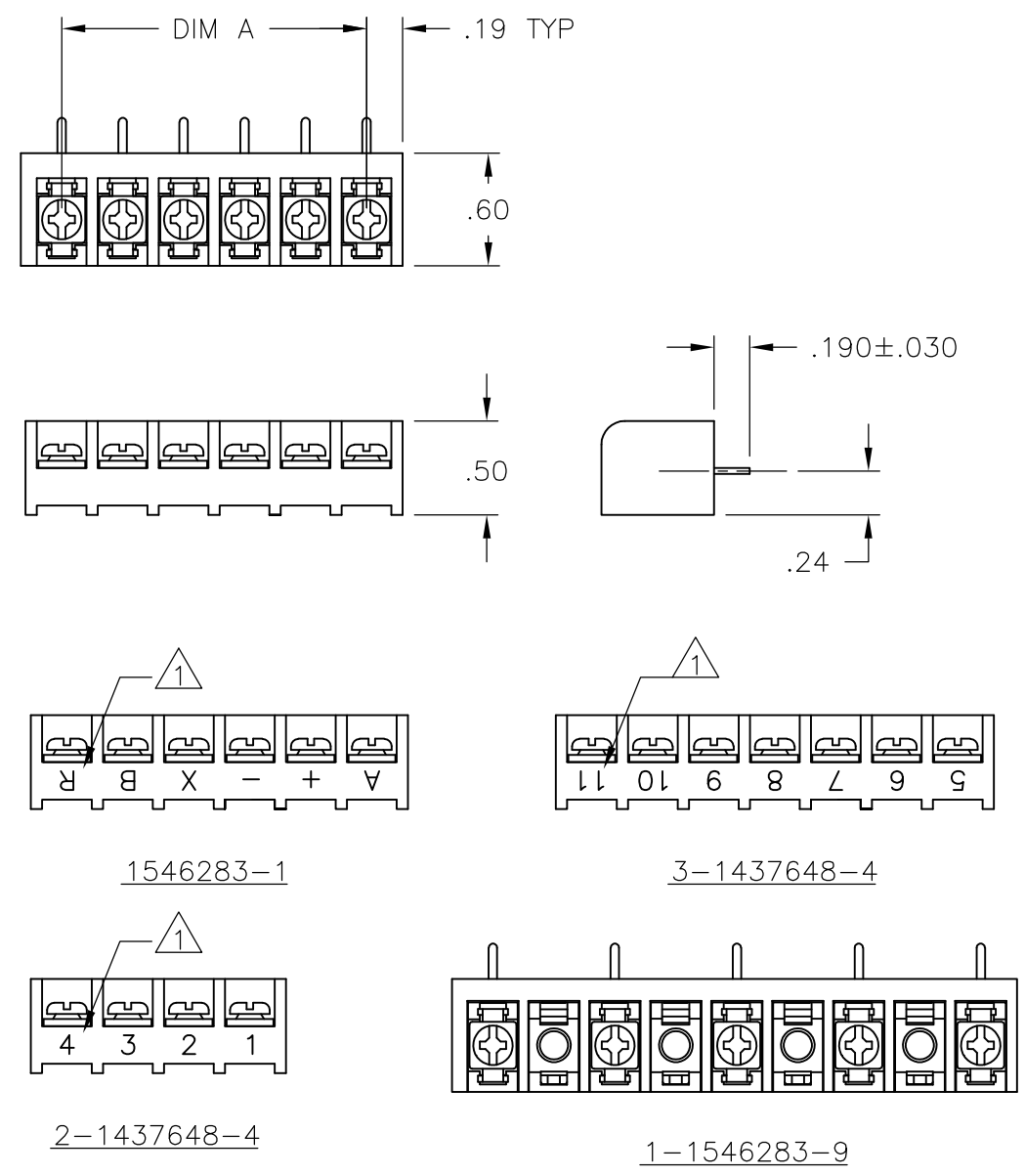


THIS DRAWING IS UNPUBLISHED. RELEASED FOR PUBLICATION  
 © COPYRIGHT - By - ALL RIGHTS RESERVED.

LOC	DIST	REVISIONS					
FT	0	P	LTR	DESCRIPTION	DATE	DWN	APVD
			C1	REVISED PER ECO-11-004917	11MAR11	RK	HMR

- ① MARKED USING WHITE INK AS SHOWN.
- ② SCREWS BOTTOMED.
- ③ OBSOLETE PARTS: OBSOLETE CIS STREAMLINING PER D.RENAUD/D.SINISI



	8.775	28	4PCR-28-006	1546279-1	
	8.450	27	4PCR-27-006	1-1546283-6	
	8.125	26	4PCR-26-006	1-1546283-5	
	7.800	25	4PCR-25-006	1-1546283-4	
	7.475	24	4PCR-24-006	9-1546119-1	
	7.150	23	4PCR-23-006	4-1437648-9	
	6.825	22	4PCR-22-006	1-1546283-3	
	6.500	21	4PCR-21-006	1-1546283-2	
	6.175	20	4PCR-20-006	1-1546283-1	
	5.850	19	4PCR-19-006	1-1546283-0	
	5.525	18	4PCR-18-006	1546283-9	
	5.200	17	4PCR-17-006	4-1437648-8	
	4.875	16	4PCR-16-006	1546283-8	
	4.550	15	4PCR-15-006	1546283-7	
	4.225	14	4PCR-14-006	1546283-6	
	3.900	13	4PCR-13-006	1546283-5	
	3.575	12	4PCR-12-006	9-1546119-0	
	3.250	11	4PCR-11-006	1546283-4	
	2.925	10	4PCR-10-006	8-1546119-9	
	2.600	9	4PCR-05-526	1-1546283-9	
②③	OBSOLETE	2.600	9	4PCR-09-518	1546283-3
	2.600	9	4PCR-09-006	4-1437648-1	
	2.275	8	4PCR-08-006	3-1437648-8	
③	OBSOLETE	1.950	7	4PCR-07-444	3-1437648-4
	1.950	7	4PCR-07-006	8-1546119-8	
②③	OBSOLETE	1.625	6	4PCR-06-517	1546283-2
	1.625	6	4PCR-06-519	1546283-1	
	1.625	6	4PCR-06-006	3-1437648-1	
	1.300	5	4PCR-05-006	2-1437648-8	
③	OBSOLETE	.975	4	4PCR-04-468	2-1437648-4
	.975	4	4PCR-04-006	2-1437648-3	
	.650	3	4PCR-03-006	2-1437648-0	
	.325	2	4PCR-02-006	1-1437648-8	
	DIM A REF	NO OF POS	CATALOG NUMBER	PART NO.	

THIS DRAWING IS A CONTROLLED DOCUMENT.

DIMENSIONS: INCHES	TOLERANCES UNLESS OTHERWISE SPECIFIED:	DWN S. SCHLEGEL 9/26/03	TE Connectivity NAME 4PCR-XX-006 ASSEMBLY
	0 PLC ± -	CHK S. YODER 9/26/03	
	1 PLC ± -	APVD S. YODER 9/26/03	
MATERIAL	FINISH	PRODUCT SPEC	

WEIGHT -  
 SIZE A3 CAGE CODE 00779 DRAWING NO C-2-1437648-0  
 CUSTOMER DRAWING SCALE NTS SHEET 1 OF 2 REV C1

4

3

2


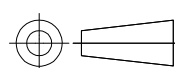
1

THIS DRAWING IS UNPUBLISHED.      RELEASED FOR PUBLICATION      - , - .

© COPYRIGHT - By -      ALL RIGHTS RESERVED.

LOC	DIST	REVISIONS					
FT	0	P	LTR	DESCRIPTION	DATE	DWN	APVD
		-		SEE SHEET 1	-	-	-

9.425	30	4PCR-30-006	1-1546283-8
9.100	29	4PCR-29-006	1-1546283-7
DIM A REF	NO OF POS	CATALOG NUMBER	PART NO.

THIS DRAWING IS A CONTROLLED DOCUMENT.		DWN	S. SCHLEGEL	9/26/03	 <b>TE Connectivity</b>		
DIMENSIONS: INCHES		CHK	S. YODER	9/26/03			
		APVD	S. YODER	9/26/03			
TOLERANCES UNLESS OTHERWISE SPECIFIED:		PRODUCT SPEC		NAME			
0 PLC ± -		-		4PCR-XX-006 ASSEMBLY			
1 PLC ± -		APPLICATION SPEC		SIZE			
2 PLC ± .01		-		CAGE CODE		DRAWING NO	
3 PLC ± .005		-		A3 00779		C-2-1437648-0	
4 PLC ± -		WEIGHT		RESTRICTED TO			
ANGLES ± 1°		-		-			
MATERIAL	FINISH	CUSTOMER DRAWING		SCALE	SHEET	REV	
-	-			NTS	2 OF 2	C1	